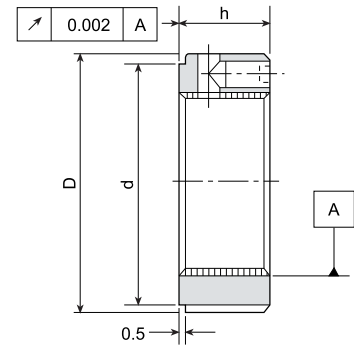
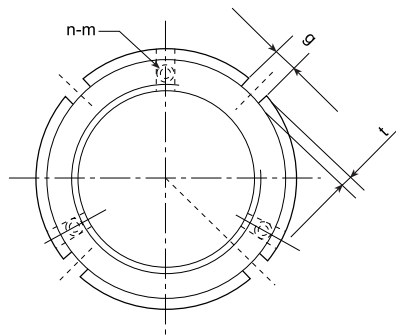


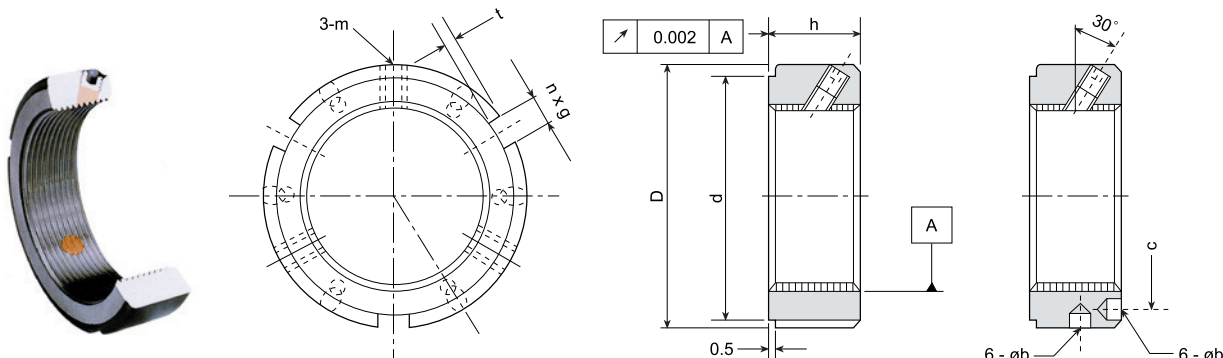
YSA 軸向鎖定



螺 牙 Thread	D	h	g	t	d	n - m	MAX.Nm
YSA M 17X1	32	16	4	2	27	2 - M4	3.5
YSA M 20X1	38				33		
YSA M 20X1.5					33		
YSA M 25X1.5	45	18	5	2.5	40	3 - M4	4.5
YSA M 30X1.5	52				47		
YSA M 40X1.5	58	20	6	3	52	3 - M6	8.0
YSA M 45X1.5	65				59		
YSA M 50X1.5	70				64		
YSA M 55X2	75	22	7	4	68	3 - M8	18.0
YSA M 60X2	80				73		
YSA M 65X2	85				78		
YSA M 70X2	92	24	8	3.5	84	3 - M8	18.0
YSA M 75X2	98				90		
YSA M 80X2	105				96		
YSA M 85X2	110	26	10	5	102	3 - M10	35.0
YSA M 90X2	120				108		
YSA M 95X2	125				113		
YSA M 100X2	130	28	12	6	118	3 - M12	60.0
YSA M 105X2	140				125		
YSA M 110X2	145				132		
YSA M 115X2	150	30	14	7	137	3 - M12	60.0
YSA M 120X2	155				142		
YSA M 125X2	160				147		
YSA M 130X2	165	32	16	8	152	3 - M12	60.0
YSA M 135X2	175				160		
YSA M 140X2	180				165		
YSA M 145X2	190	34	18	8	175	3 - M12	60.0
YSA M 150X2	195				180		
YSA M 155X3	200				180		
YSA M 160X3	210	36	18	8	190	3 - M12	60.0
YSA M 165X3	210				190		
YSA M 170X3	220				200		
YSA M 180X3	230	38	18	8	205	3 - M12	60.0
YSA M 190X3	240				215		
YSA M 200X3	250				225		

Remarks:(1)The data are for reference only. (2)1 Nm=10.2kgf.cm=0.73lb.ft

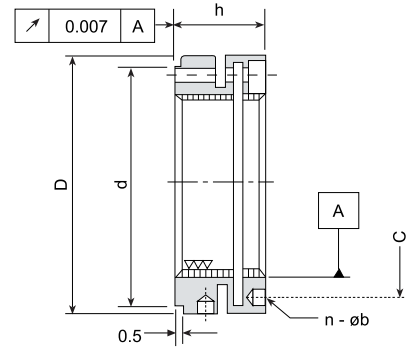
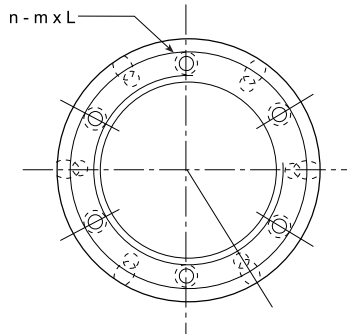
YSF 牙腹鎖定



螺 牙 Thread	D	h	d	n x g / b	t / c	m	MAX.Nm	
YSF M 17X1	32	16	27	3 x 4 / -	2	M5	4.5	
YSF M 20X1	38		33		2			
YSF M 20X1.5			33		2			
YSF M 25X1.5	45	18	40	3 x 5 / -	2	M6	8.0	
YSF M 30X1.5	52		47		2			
YSF M 35X1.5	58		52		2.5			
YSF M 40X1.5	65	20	59	3 x 6 / -	2.5	M8	18.0	
YSF M 45X1.5	70		64		2.5			
YSF M 50X1.5	75		68		2.5			
YSF M 55X2	80	22	73	3 x 7 / φ6	2.5	M8	18.0	
YSF M 60X2	85		78		65			
YSF M 65X2	92		84		70			
YSF M 70X2	98	24	90	3 x 8 / φ7	3.5	M8	18.0	
YSF M 75X2	105		96					75
YSF M 80X2	110		102					81
YSF M 85X2	120	26	108	6 x 8 / φ7	4	M8	18.0	
YSF M 90X2	125		113					87
YSF M 95X2	130		118					93
YSF M 100X2	140	28	125	6 x 10 / φ7	4	M8	18.0	
YSF M 105X2	145		132					98
YSF M 110X2	150		137					105
YSF M 115X2	155	30	142	6 x 12 / φ7	5	M10	35.0	
YSF M 120X2	160		147					110
YSF M 125X2	165		152					115
YSF M 130X2	175	32	160	6 x 14 / φ8	6	M10	35.0	
YSF M 135X2	180		165					123
YSF M 140X2	190		175					128
YSF M 145X2	195	34	180	6 x 16 / φ8	7	M12	60.0	
YSF M 150X2	200		180					133
YSF M 155X3	210		190					138
YSF M 160X3	210	36	190	6 x 14 / φ8	6	M10	35.0	
YSF M 165X3	220		200					143
YSF M 170X3	230		205					148
YSF M 180X3	240	38	215	6 x 16 / φ8	7	M12	60.0	
YSF M 190X3	250		225					155
YSF M 200X3								160

Remarks:(1)The data are for reference only. (2)1 Nm=10.2kgf.cm=0.73lb.ft

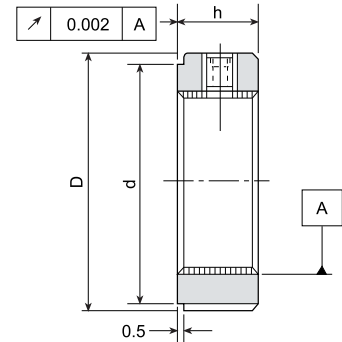
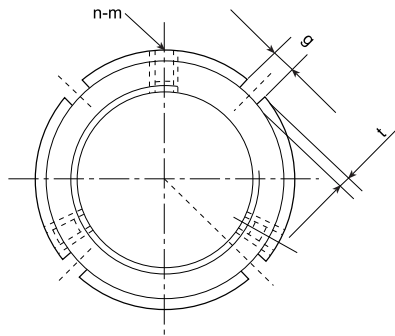
YSK 縮緊鎖定



螺 牙 Thread	D	h	g	n - m x L	n	b	c	MAX.Nm
YSK M 16X1.5	34	18	29	4-M4 X 12	4	4	24	3.5
YSK M 17X1	37		32				26	
YSK M 18X1.5	38		33				28	
YSK M 20X1	40		35				30	
YSK M 20X1.5			37				32	
YSK M 22X1.5			39				34	
YSK M 24X1.5	44	20	40	4-M4 X 14	5	35	3.5	
YSK M 25X1.5	45		43			37		
YSK M 26X1.5	46		45			39		
YSK M 28X1.5	48		47			41		
YSK M 30X1.5	50		50			44		
YSK M 32X1.5	53		53			47		
YSK M 35X1.5	56	22	55	4-M4 X 16	6	49	4.5	
YSK M 38X1.5	58		63			51		
YSK M 40X1.5	60		65			57		
YSK M 42X1.5	68		66			58		
YSK M 45X1.5	70		68			60		
YSK M 48X1.5	72		71			62		
YSK M 50X1.5	75	25	77	6-M4 X 18	7	65	4.5	
YSK M 52X1.5	82		82			70		
YSK M 55X1.5	84		84			72		
YSK M 55X2	86		87			75		
YSK M 58X1.5	88		89			77		
YSK M 60X1.5	93		91			80		
YSK M 60X2	95	28	94	6-M5 X 20	8	82	8	
YSK M 62X1.5	97		103			84		
YSK M 65X1.5	100		108			87		
YSK M 65X2	110		113			89		
YSK M 68X1.5	115		118			91		
YSK M 70X1.5	120		123			94		
YSK M 70X2	125	32	128	6-M6 X 22	8	87	8	
YSK M 72X1.5	130		133			95		
YSK M 75X1.5	135		137			100		
YSK M 75X2	140		146			105		
YSK M 80X2	145		150			110		
YSK M 85X2	155		155			115		
YSK M 90X2	160	36	168	6-M6 X 25	8	120	8	
YSK M 95X2	165		178			125		
YSK M 100X2	180		190			130		
YSK M 105X2	190		200			136		
YSK M 110X2	205		213			140		
YSK M 115X2	215		223			147		
YSK M 120X2	230	38	230	8-M6 X 25	10	160	8	
YSK M 125X2	240		230			170		
YSK M 130X2	245		230			178		
YSK M 140X2	255		230			188		
YSK M 150X2	265		230			193		
YSK M 160X3	275		230			199		
YSK M 170X3	285	40	205	8-M8 X 30	8	205	18	
YSK M 180X3	295		213			205		
YSK M 190X3	305		223			215		
YSK M 200X3	315		230			223		

Remarks:(1)The data are for reference only. (2)1 Nm=10.2kgf.cm=0.73lb.ft

YSR 徑向鎖定



螺 牙 Thread	D	h	g	t	d	n - m	MAX.Nm				
YSR M 6X0.5	16	8	3	2	11	2 - M4	3.5				
YSR M 8X0.75					13						
YSR M 10X0.75	18	8	3	2	16			2 - M5	4.5		
YSR M 10X1					21						
YSR M 12X1	20	8	3	2	23					3 - M5	4.5
YSR M 12X1.25					25						
YSR M 14X1.5	25	10	4	2	27	3 - M6	8.0				
YSR M 15X1					30						
YSR M 16X1.5	28	10	4	2	33			3 - M8	18.0		
YSR M 17X1					37						
YSR M 18X1.5	30	10	4	2	40					3 - M8	18.0
YSR M 20X1					45						
YSR M 20X1.5	32	10	4	2	47	3 - M8	18.0				
YSR M 22X1.5					49						
YSR M 24X1.5	35	12	5	2.5	52			3 - M8	18.0		
YSR M 25X1.5					56						
YSR M 27X1.5	42	12	5	2.5	59					3 - M8	18.0
YSR M 30X1.5					62						
YSR M 33X1.5	52	14	6	2.5	64	3 - M8	18.0				
YSR M 35X1.5					66						
YSR M 36X1.5	55	14	6	2.5	68			3 - M8	18.0		
YSR M 39X1.5					70						
YSR M 40X1.5	58	14	6	2.5	73					3 - M8	18.0
YSR M 42X1.5					78						
YSR M 45X1.5	62	14	6	2.5	84	3 - M8	18.0				
YSR M 48X1.5					86						
YSR M 50X1.5	70	16	7	3	90			3 - M8	18.0		
YSR M 52X1.5					92						
YSR M 55X2	75	16	7	3	96					3 - M8	18.0
YSR M 56X2					102						
YSR M 60X2	80	16	7	3	108	3 - M8	18.0				
YSR M 64X2					113						
YSR M 65X2	85	16	7	3	118			3 - M8	18.0		
YSR M 68X2					125						
YSR M 70X2	92	18	8	3.5	132					3 - M8	18.0
YSR M 72X2					137						
YSR M 75X2	98	18	8	3.5	142	3 - M8	18.0				
YSR M 76X2					147						
YSR M 80X2	105	18	8	3.5	152			3 - M8	18.0		
YSR M 85X2					160						
YSR M 85X2	110	20	10	4	165					3 - M8	18.0
YSR M 90X2					175						
YSR M 95X2	125	20	10	4	180	3 - M8	18.0				
YSR M 100X2					180						
YSR M 105X2	140	22	12	5	180			3 - M8	18.0		
YSR M 110X2					190						
YSR M 115X2	150	22	12	5	190					3 - M8	18.0
YSR M 120X2					200						
YSR M 125X2	160	24	14	6	205	3 - M8	18.0				
YSR M 130X2					215						
YSR M 135X2	175	24	14	6	225			3 - M8	18.0		
YSR M 140X2					230						
YSR M 145X2	190	26	14	6	230					3 - M8	18.0
YSR M 150X2					240						
YSR M 155X3	200	26	14	6	240	3 - M8	18.0				
YSR M 160X3					250						
YSR M 165X3	210	28	16	7	250			3 - M8	18.0		
YSR M 170X3					260						
YSR M 180X3	230	30	18	8	260					3 - M8	18.0
YSR M 190X3					270						
YSR M 190X3	240	30	18	8	270	3 - M8	18.0				
YSR M 200X3					280						

Remarks:(1)The data are for reference only. (2)1 Nm=10.2kgf.cm=0.73lb.ft